



MultiTable® Dual Monitor Arms



DIMENSIONS AND SPECS:

Colors



Materials

Powder coated, aluminum alloy

Dimensions (per arm)

Height Adjustable Range: 12" | Low: 7" | High: 19"
 Monitor Extension: 22" | Retraction: 4"
 Monitor Tilt: +25°/-90°
 Monitor Rotation: +90°/-90°
 Weight Capacity: Min. 6.5 lbs. | Max. 17.6 lbs.
 Desk Clamp Thickness: 0.6" - 3" thick

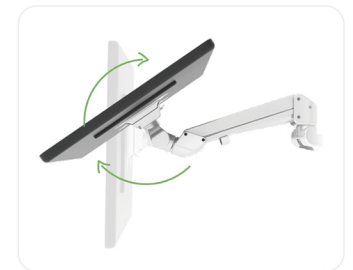
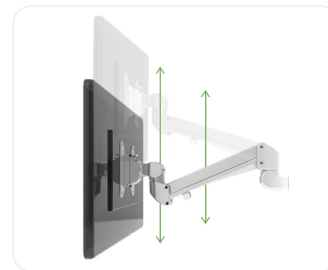
*Note: Monitor Height/Weight May Limit Size.

Features

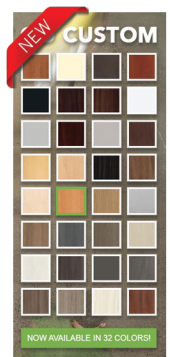
- Easily raises your monitor off your desk and securely attaches it to your workstation
- Includes both desk clamp and grommet mount alternative, with an integrated cable management system
- Compatible with VESA 75mm and VESA 100mm mounts
- Features a 180-degree lockout function
- Curved Monitors are not Recommended for this Product. Please Contact Us for More Details

Warranty

5-year limited



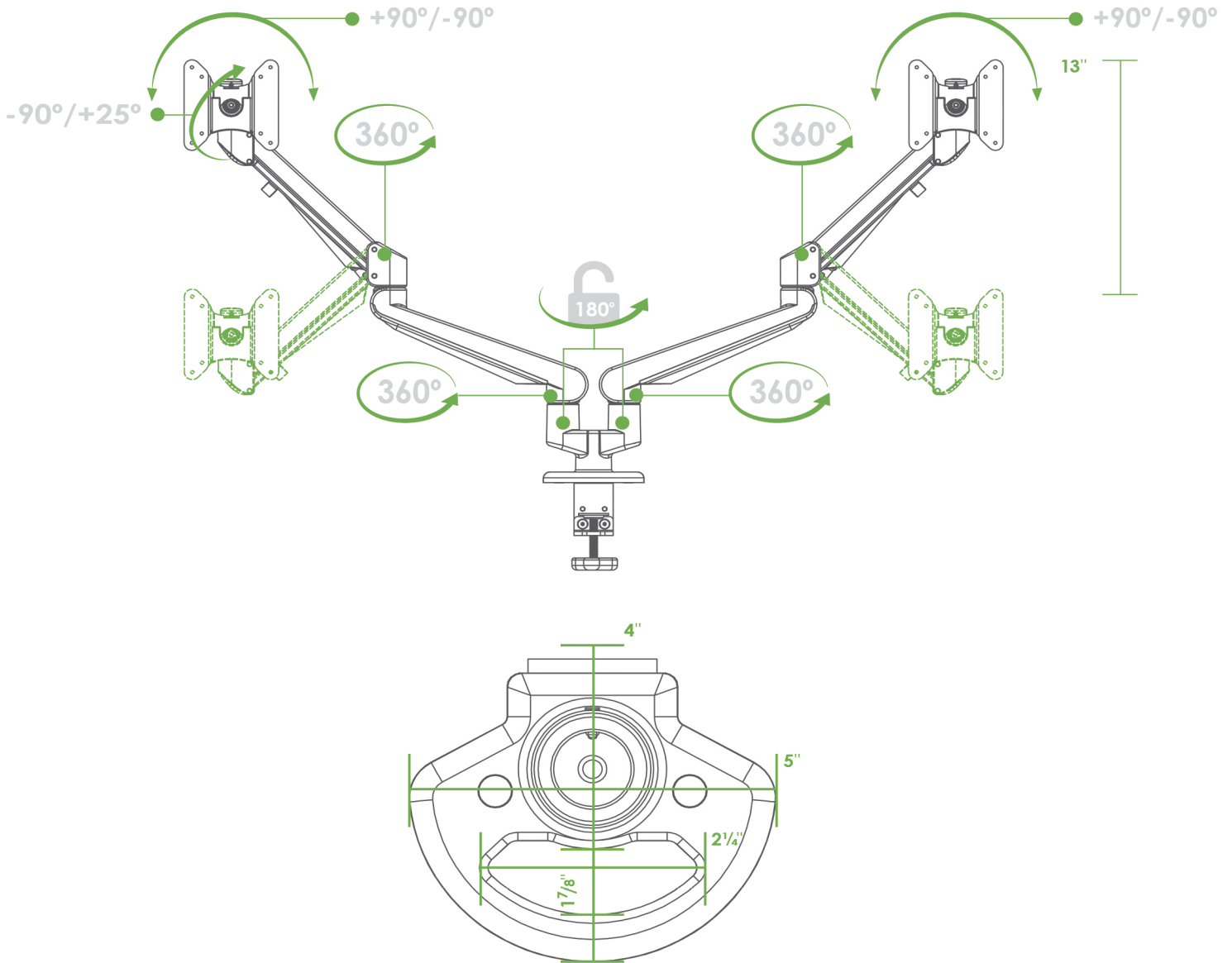
MultiTable Dual Monitor Arms are the perfect solution to any professional experiencing neck or back pain. Not only can you adjust the height of your screens, our ergonomic engineers have crafted these monitor arms to tilt so you can select the perfect angle for optimal comfort. The monitor arms securely attach to any workstation, and install can be accomplished with grommet mounts or desk clamps (both included).



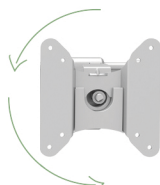


MultiTable® Dual Monitor Arms

DIMENSIONS AND RANGE:



Monitor Quick Release



Landscape/Portrait Rotation



Cable Management



Grommet Mount



Desk Clamp



Integrated Allen Wrench Storage