

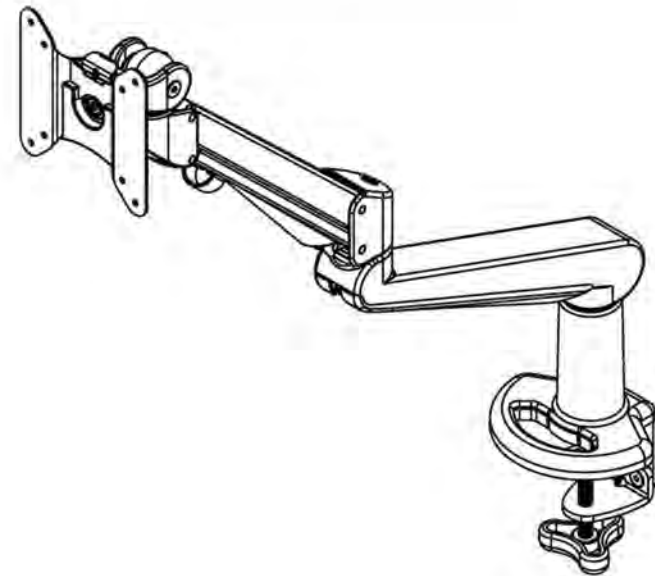


ModTable
By MultiTable, LLC

2255 W Desert Cove Ave Suite E
Phoenix, AZ 85029

602.773.6911
customerservice@multitable.com

www.MultiTable.com



Single Monitor Arm
ASSEMBLY INSTRUCTIONS

Box Contents

#	Parts	Qty	Image
01	Arm Assembly (With Clamp Mount)	1	
02	Gasket Pad	1	
03	Solid Grommet Mount	1	
04	Bolt	1	
05	Spacer Block	1	
06	Flat Washer	1	
07	Nut	2	
08	Wrench	1	
09	Monitor Bolts	4	
10	5mm Allen Key	1	
11	4mm Allen Key	1	
12	2mm Allen Key	1	
13	Set Screw	1	
14	Lock-Out Screw	1	

Tension Adjustment

Caution:
Support arm while adjusting tension.

Weight Capacity:
6.6 ~ 17.6 lbs (3~8kg)

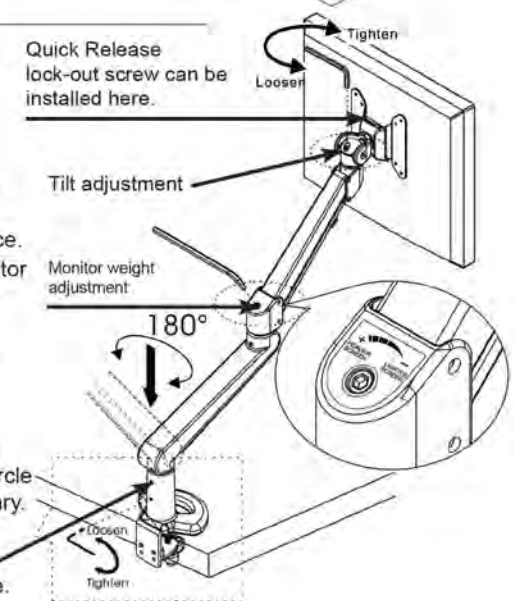
- Product loading capacities are based on monitors' center of gravity less than 3cm (1 3/16") from the end of the VESA interface.
- Loading capacity could be reduced if monitor size is greater than 26" or depth is greater than 5.5cm (2 11/64").
- All product specifications in catalogs are subject to change without notice.

180° Lockout Feature:

- Fasten the screw to the bottom with 2mm Allen Key and then move backward one circle to have the limited 180° rotation if necessary.

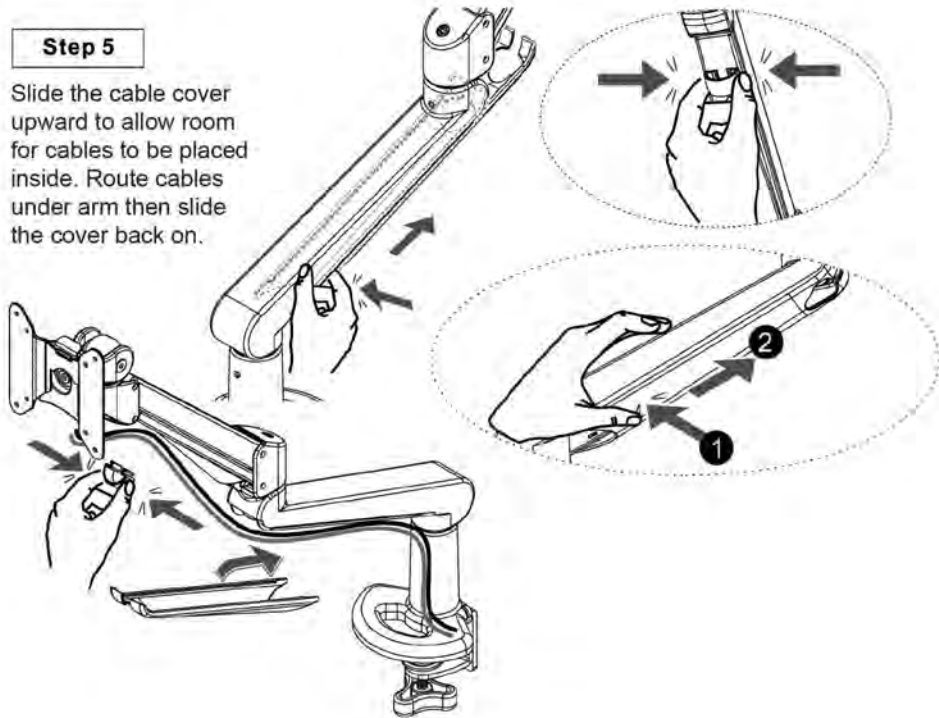
360° lockout. Install included set screw here.

Adjustment:
Use the Allen key provided to adjust the tension to correspond to the weight of the monitor. Twist the Allen key in a clockwise direction for lighter monitors; counterclockwise for heavier monitors.



Step 5

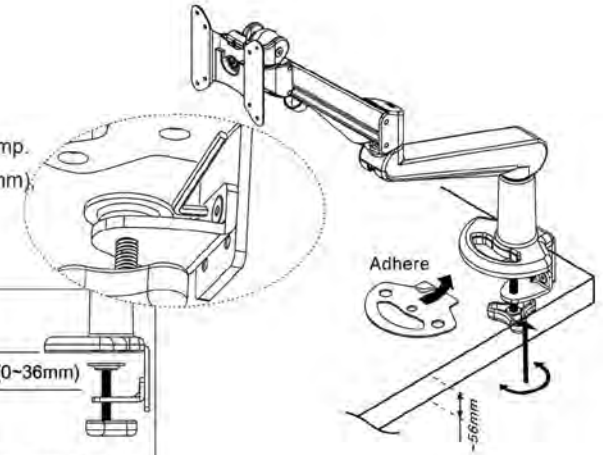
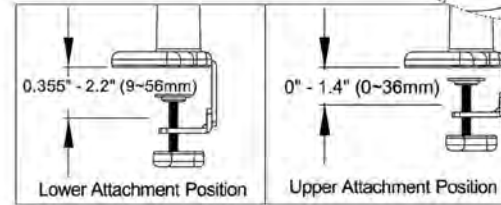
Slide the cable cover upward to allow room for cables to be placed inside. Route cables under arm then slide the cover back on.



Step 1

"Clamp" Assembly

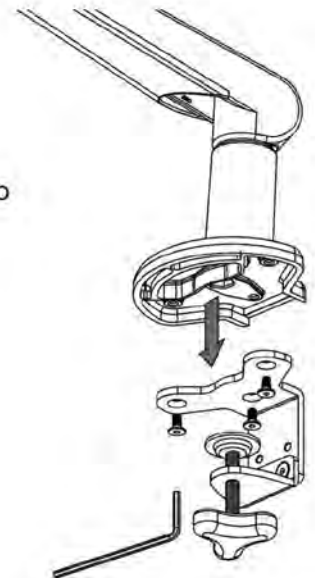
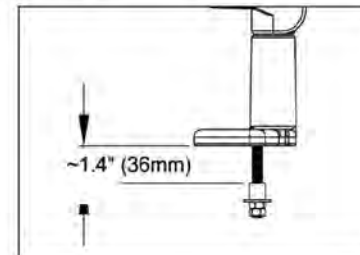
Adhere the pad to the base of the clamp.
Fits desk thicknesses from ~ 2.2" (56mm), then clamp the arm to the desk.



"Grommet" Assembly Step (1-1)

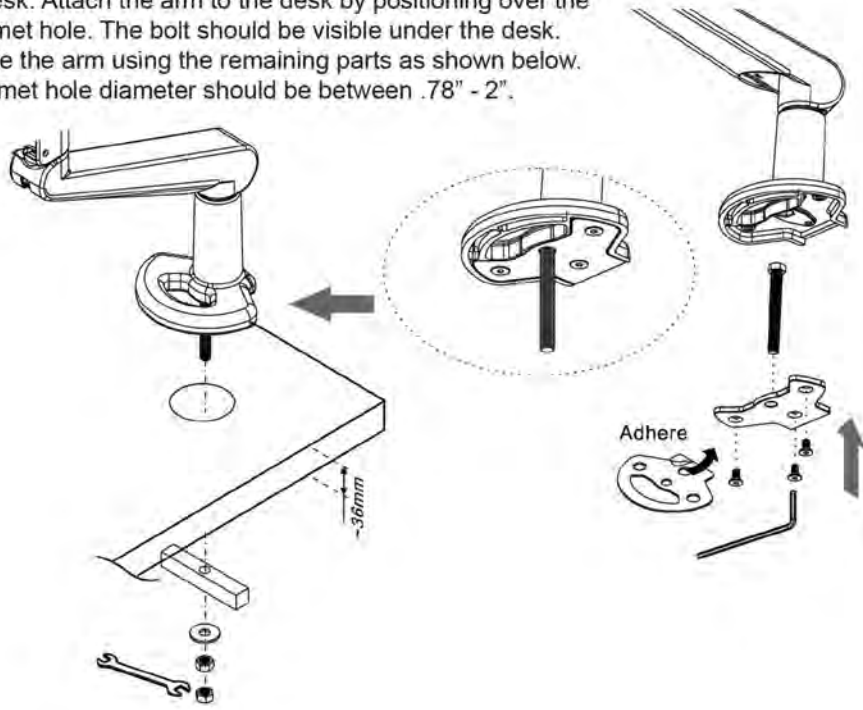
Use 4mm allen key to loosen the 3 screws, then detach clamp mount from the arm

Note: Do not lose the screws as they will be used to attach the grommet mount.



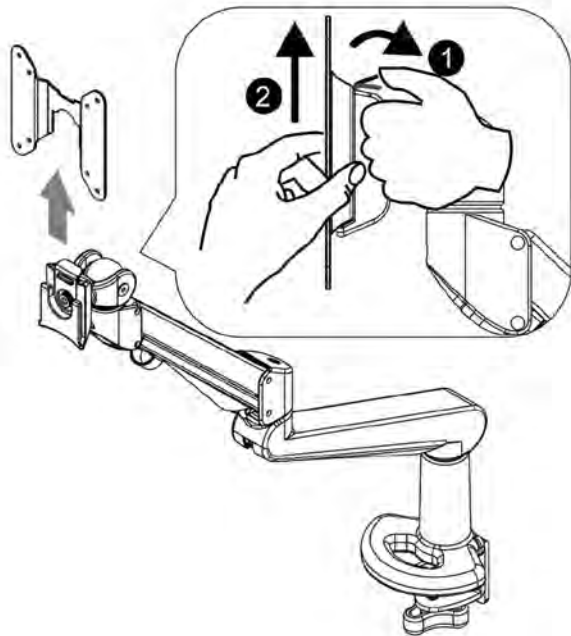
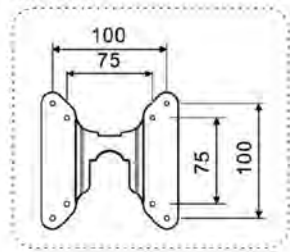
"Grommet" Assembly Step (1-2)

Place the small metal grommet mount plate on the bottom of the arm, then adhere the pad to protect the surface of the desk. Attach the arm to the desk by positioning over the grommet hole. The bolt should be visible under the desk. Secure the arm using the remaining parts as shown below. Grommet hole diameter should be between .78" - 2".



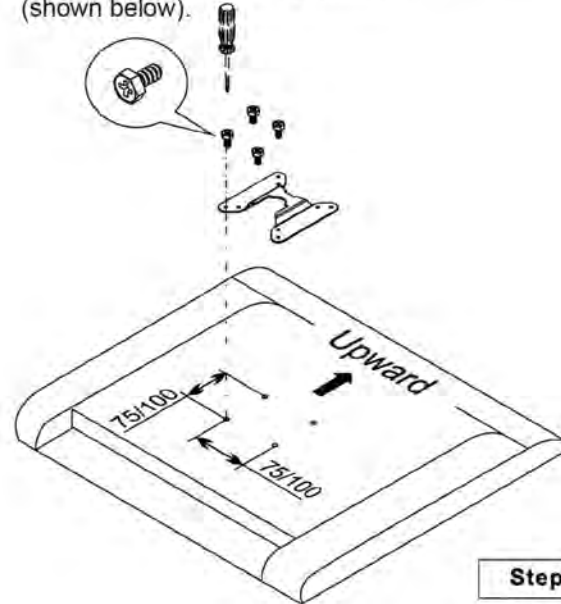
Step 2

Remove the VESA plate by pinching the grey plastic tab to release the lock, then pull the plate upward to separate from the arm.



Step 3

Place LCD monitor face down on a flat surface. Align the VESA plate holes with the holes on the back of the monitor and attach using the screws provided (shown below).



Step 4

Slide the monitor (with VESA plate) onto the arm making sure it "clicks" securely into place.

